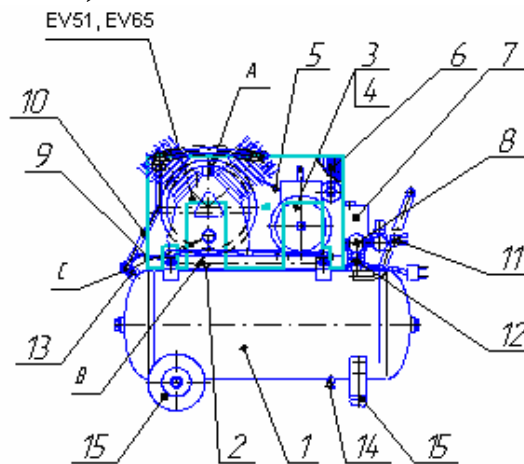


Kolbenkompressoren Serie SB4/... Piston compressors Line SB4/...

EV51 (1,5 kW) EV65 (2,2 kW)



Mod. SB4/S-50.EV51

- | | |
|---|---|
| 1. Druckbehälter
<i>tank</i> | 10. Luftförderleitung
<i>air inlet pipe</i> |
| 2. Geländer
<i>platform</i> | 11. Luftausgangshahn (1/2")
<i>air out crane</i> |
| 3. E-Motor
<i>motor</i> | 12. Sicherheitsventil
<i>safety valve</i> |
| 4. Schwungrad
<i>wheel</i> | 13. Rückschlagventil
<i>return valve</i> |
| 5. Keilriemen
<i>belt</i> | 14. Kondensatablasshahn
<i>condensate valve</i> |
| 6. Schutzgitter
<i>protection</i> | 15. Dämpfer und Räder
<i>suppoting pads and wheels</i> |
| 7. Druckschalter
<i>pressure control</i> | |
| 8. Manometer
<i>manometer</i> | A Ölnachfüllung / <i>oil filling</i> |
| 9. Entlüftungsleitung
<i>air outlet pipe</i> | B Ölablass / <i>oil out</i> |
| | C Schauglas/ <i>oil level</i> |

